



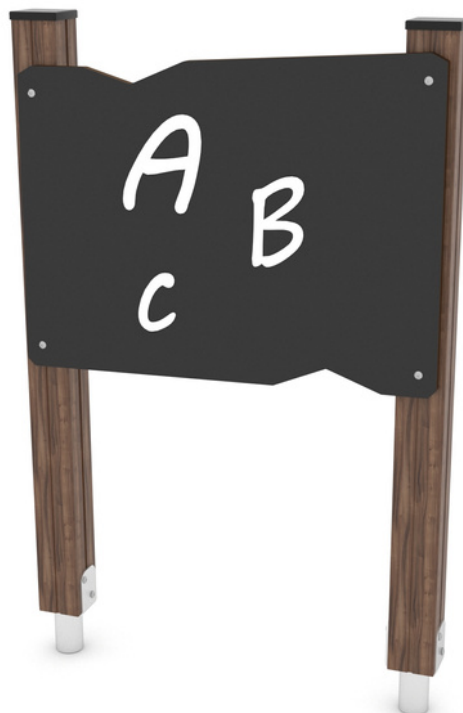
1-8



1 kids

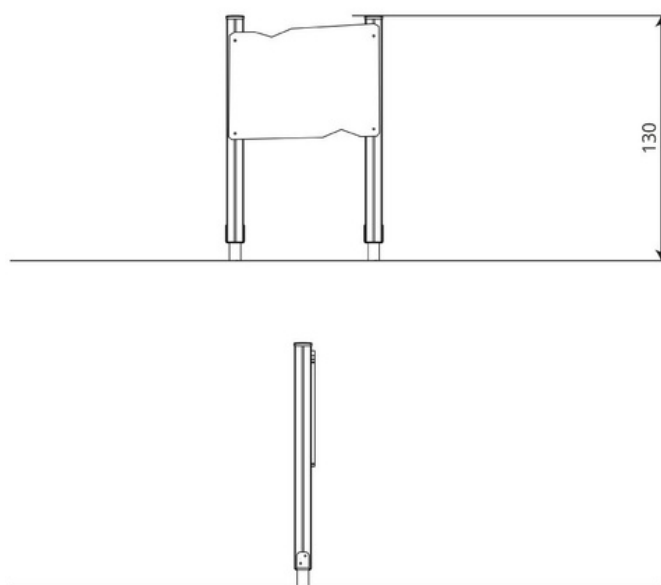
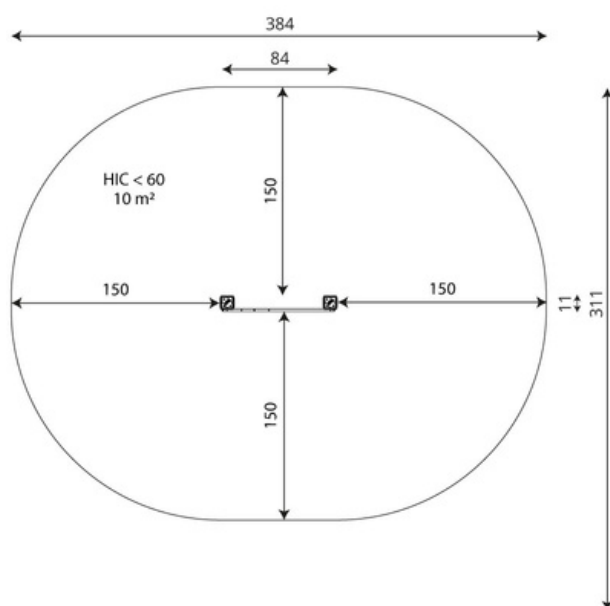


10,0 m<sup>2</sup>



### Material specification


- Construction made of the highest quality laminated, impregnated and double coated pine wood 90 x 90 mm without knots, secured from the top with polypropylene plugs,
- Metal anchors made of hot dip galvanized steel, protecting the wood from direct contact with the ground to prevent rot and to extend the product's life,
- Drawing board made of durable, waterproof plywood or HPL plate, resistant to weather conditions,
- Stainless steel screws and/or screws covered with plastic caps,



# Lekpaneler

## LP2388112



|                                |   |
|--------------------------------|---|
| Length                         | 84 cm   |
| Width                          | 11 cm   |
| Total height                   | 130 cm  |
| Age group                      | 1 - 8 years   |
| Number of users                | 1 kids  |
| Safety zone                    | 10,0 m <sup>2</sup>   |
| Free fall height               | <60 cm  |
| In accordance with norm EN     | 1176-1:2017   |
| Weight of the heaviest part    | 11 kg   |
| Dimensions of the largest part | 120x9x9 cm  |
| Availability of spare parts    | YES   |
| Installation time              | 1 h   |
| Color options                  |  |



### 30 year guarantee

Structural strength of steel and stainless steel components



### 15 year guarantee

Structural failure of steel and stainless steel, for dynamic equipment



### 10 year guarantee

Structural failure of high density polyethylene and high pressure laminates components



### 5 year guarantee

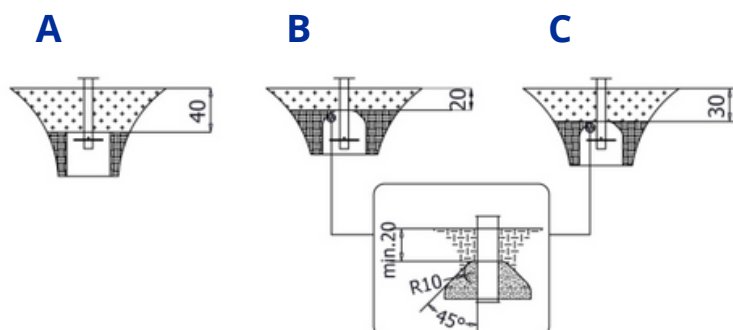
Corrosion of stainless steel and hot dip galvanized and powder coated components; against bark beetles and rot in case of wooden structural elements

Data is subject to change without prior notice.

- equipment adapted for the disabled; intended for public playgrounds;
- equipment has a certificate issued by an accredited entity or a declaration of conformity;
- no sharp edges or chinks that would pose a danger of jimmieing the head, fingers or any other body parts;
- anchoring on flat surface, 80/70/60 cm deep;
- render is for reference only, the actual appearance of the equipment and its color may vary;

Surfaces according to EN 1176-1:2017

|                                 | Description (mm)             | Layer thickness (cm) | Maximum fall heights (cm) |
|---------------------------------|------------------------------|----------------------|---------------------------|
| Turf/ top layer of soil (A,B,C) | -                            | -                    | ≤100                      |
| bark (A,C)                      | Particle size from 20 to 80  | 30                   | ≤200                      |
|                                 |                              | 40                   | ≤300                      |
| woodchips (A,C)                 | Particle size from 5 to 30   | 30                   | ≤200                      |
|                                 |                              | 40                   | ≤300                      |
| sand or gravel (A,C)            | Particle size from 0,25 to 8 | 30                   | ≤200                      |
|                                 |                              | 40                   | ≤300                      |
| synthetic attested (A,B,C)      | Tested according to EN 1177  |                      | 60                        |



HIC <60

10,0 m<sup>2</sup>

Data is subject to change without prior notice.