

Robinia Arina RN165515



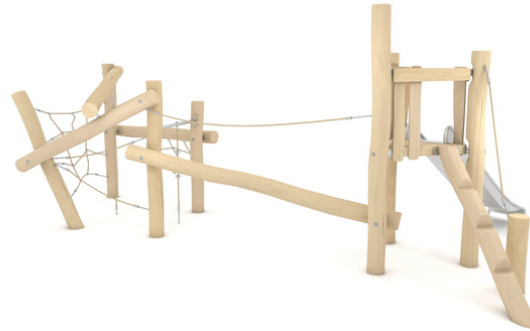
3-14



18 kids

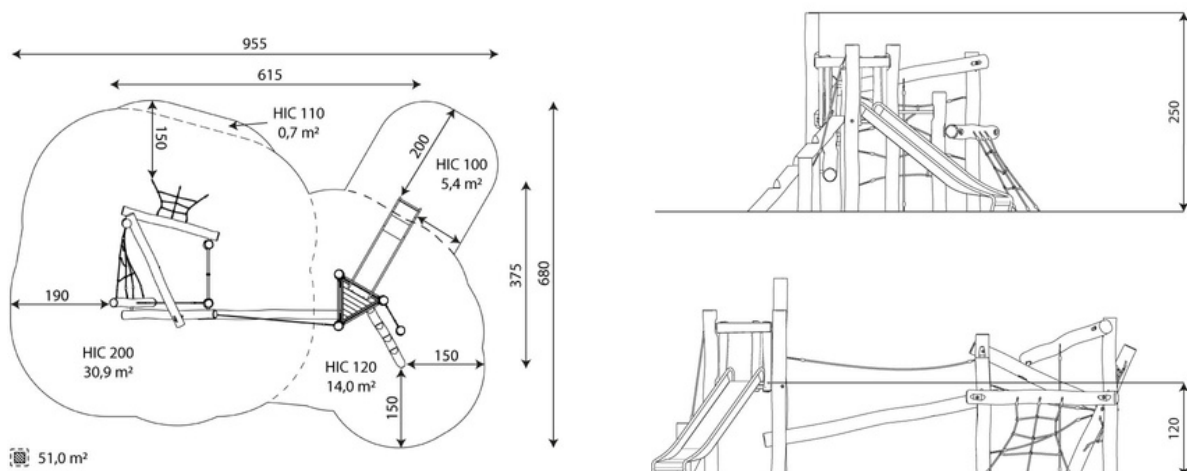


51,0 m²



Material specification

- Construction made of Robinia - very durable acacia wood with a diameter of ~ 18 cm without sharp edges, resistant to weather conditions,
- Platforms made of Robinia - very durable acacia wood, resistant to weather conditions,
- Side panels made of Robinia - very durable acacia wood without sharp edges, resistant to weather conditions
- Slides made of stainless steel,
- Steel ropes in polypropylene braid, connected with durable aluminum, stainless steel and/or plastic elements,
- Calibrated stainless steel chains, preventing fingers entrapment,
- Stainless steel bars,
- Screws covered with plastic caps and/or stainless steel screws,



Robinia Arina

RN165515



Length	615 cm
Width	375 cm
Total height	250 cm
Age group	3 - 14 years
Number of users	18 kids
Safety zone	51,0 m2
Free fall height	200 cm
The height of the platforms	120 cm
In accordance with norm EN	1176-1:2017
Weight of the heaviest part	69 kg
Dimensions of the largest part	300x18x18 cm
Availability of spare parts	YES
Installation time	8 h



30 year guarantee

Structural strength of steel and stainless steel components



15 year guarantee

Structural failure of steel and stainless steel, for dynamic equipment



10 year guarantee

Structural failure of high density polyethylene and high pressure laminates components



5 year guarantee

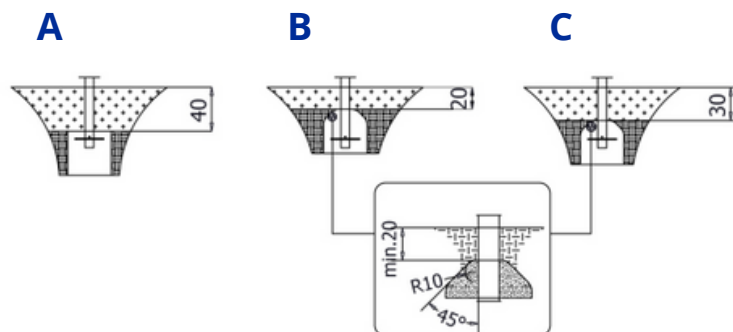
Corrosion of stainless steel and hot dip galvanized and powder coated components; against bark beetles and rot in case of wooden structural elements

Data is subject to change without prior notice.

- equipment intended for public playgrounds;
- equipment has a certificate issued by an accredited entity or a declaration of conformity;
- no sharp edges or chinks that would pose a danger of
- jimmie the head, fingers or any other body parts;
- anchoring on flat surface, 80/70/60 cm deep;
- slide should not be installed southwards;
- render is for reference only, the actual appearance of the equipment and its color may vary;

Surfaces according to EN 1176-1:2017

	Description (mm)	Layer thickness (cm)	Maximum fall heights (cm)
Turf/ top layer of soil (A,B,C)	-	-	≤100
bark (A,C)	Particle size from 20 to 80	30	≤200
		40	≤300
woodchips (A,C)	Particle size from 5 to 30	30	≤200
		40	≤300
sand or gravel (A,C)	Particle size from 0,25 to 8	30	≤200
		40	≤300
synthetic attested (A,B,C)	Tested according to EN 1177		200



HIC 100 5,4 m²

HIC 110 0,7 m²

HIC 120 14,0 m²

HIC 200 30,9 m²

Data is subject to change without prior notice.