



+3



40 kids

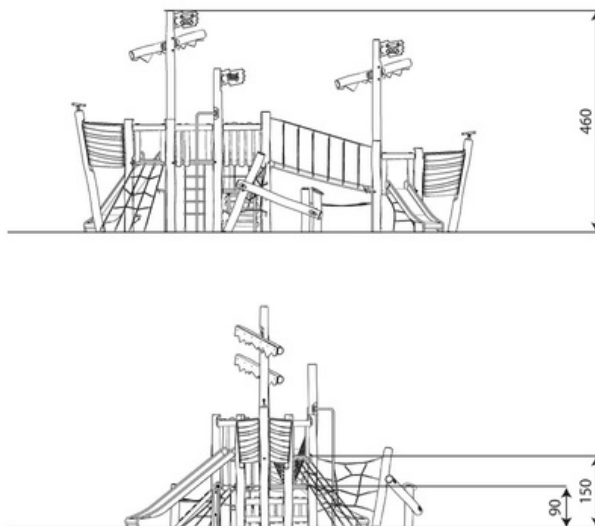
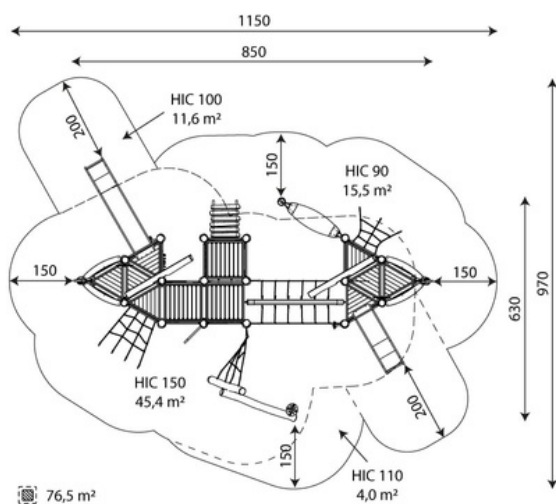


76,5 m²



Material specification

- Construction made of Robinia - very durable acacia wood with a diameter of ~ 18 cm without sharp edges, resistant to weather conditions,
- Platforms made of Robinia - very durable acacia wood, resistant to weather conditions,
- Side panels made of Robinia - very durable acacia wood without sharp edges, resistant to weather conditions
- Slides made of stainless steel,
- Fireman's pole made of stainless steel,
- Colorful elements made of durable HDPE or HPL plate, resistant to weather conditions,
- Moving elements made of durable HPL plate, resistant to weather conditions,
- Telescope made of stainless steel and durable HDPE plate, resistant to weather conditions,
- Flags / sails made of durable HPL plate, resistant to weather conditions,
- Rudder made of durable HDPE plate, resistant to weather conditions,
- "Telephone" - construction - stainless steel pipe, flowers made of HPL plates; plastic underground installation,
- Elements made of durable HPL plate, resistant to weather conditions,
- Steel ropes in polypropylene braid, connected with durable aluminum, stainless steel and/or plastic elements,
- Ladders made of steel ropes in polypropylene braid and rungs made of synthetic material,
- Certified, durable polypropylene rope 140 x 140 mm,
- Rubber hammock with textile reinforcement,
- Calibrated stainless steel chains, preventing fingers entrapment,
- Screws covered with plastic caps and/or stainless steel screws,



HIC 90	15,5 m ²
HIC 100	11,6 m ²
HIC 110	4,0 m ²
HIC 150	45,4 m ²

Data is subject to change without prior notice.

Robinia Tor

RN1655123



Length	850 cm
Width	630 cm
Total height	460 cm
Age group	3+ years
Number of users	40 kids
Safety zone	76,5 m ²
Free fall height	150 cm
The height of the platforms	90, 150 cm
In accordance with norm EN	1176-1:2017
Weight of the heaviest part	129 kg
Dimensions of the largest part	560x18x18 cm
Availability of spare parts	YES
Installation time	16,0 h

Data is subject to change without prior notice.

- equipment intended for public playgrounds;
- equipment has a certificate issued by an accredited entity or a declaration of conformity;
- no sharp edges or chinks that would pose a danger of jimmieing the head, fingers or any other body parts;
- anchoring on flat surface, 100/80/70/60 cm deep;
- slide should not be installed southwards;
- render is for reference only, the actual appearance of the equipment and its color may vary;



30 year guarantee

Structural strength of steel and stainless steel components



15 year guarantee

Structural failure of steel and stainless steel, for dynamic equipment



10 year guarantee

Structural failure of high density polyethylene and high pressure laminates components



5 year guarantee

Corrosion of stainless steel and hot dip galvanized and powder coated components; against bark beetles and rot in case of wooden structural elements

Surfaces according to EN 1176-1:2017

	Description (mm)	Layer thickness (cm)	Maximum fall heights (cm)
Turf/ top layer of soil (A,B,C)	-	-	≤100
bark (A,C)	Particle size from 20 to 80	30	≤200
		40	≤300
woodchips (A,C)	Particle size from 5 to 30	30	≤200
		40	≤300
sand or gravel (A,C)	Particle size from 0,25 to 8	30	≤200
		40	≤300
synthetic attested (A,B,C)	Tested according to EN 1177		150

