

## Klätterpyramid i Robinia

### RN1655164



4-12



6 kids

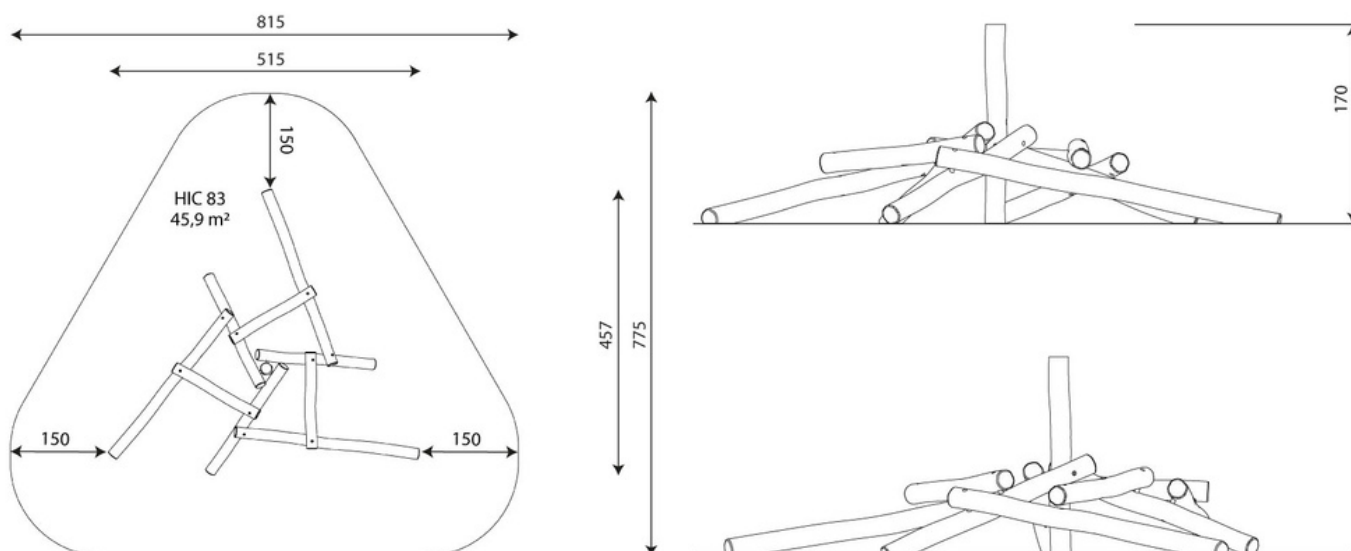


45,9 m<sup>2</sup>



### Material specification

- Construction made of Robinia - very durable acacia wood with a diameter of ~ 18 cm without sharp edges, resistant to weather conditions,
- Screws covered with plastic caps and/or stainless steel screws,
- All of our Robinia products have FSC certification.



## Klätterpyramid i Robinia

# RN1655164



Length	515 cm
Width	475 cm
Total height	170 cm
Age group	4 - 12 years
Number of users	6 kids
Safety zone	45,9 m2
Free fall height	83 cm
In accordance with norm EN	1176-1:2017
Weight of the heaviest part	69 kg
Dimensions of the largest part	18x18x300 cm
Availability of spare parts	YES

Data is subject to change without prior notice.



### 30 year guarantee

Structural strength of steel and stainless steel components



### 15 year guarantee

Structural failure of steel and stainless steel, for dynamic equipment



### 10 year guarantee

Structural failure of high density polyethylene and high pressure laminates components



### 5 year guarantee

Corrosion of stainless steel and hot dip galvanized and powder coated components; against bark beetles and rot in case of wooden structural elements

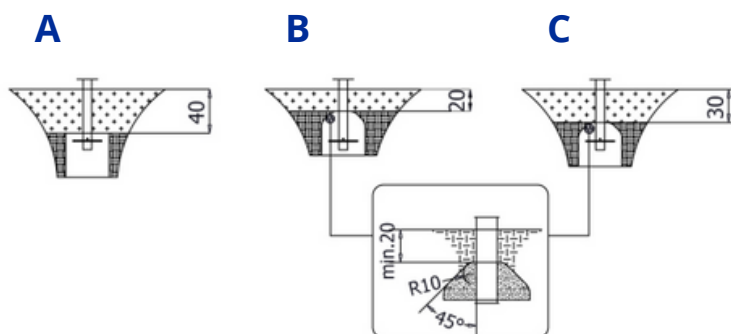
- equipment adapted for the disabled; intended for public playgrounds;
- equipment has a certificate issued by an accredited entity or a declaration of conformity;
- no sharp edges or chinks that would pose a danger of jimming the head, fingers or any other body parts;
- anchoring on flat surface, 80/70/60 cm deep;
- render is for reference only, the actual appearance of the equipment and its color may vary;

## Klätterpyramid i Robinia

### RN1655164

Surfaces according to EN 1176-1:2017

	Description (mm)	Layer thickness (cm)	Maximum fall heights (cm)
Turf/ top layer of soil (A,B,C)	-	-	≤100
bark (A,C)	Particle size from 20 to 80	30	≤200
		40	≤300
woodchips (A,C)	Particle size from 5 to 30	30	≤200
		40	≤300
sand or gravel (A,C)	Particle size from 0,25 to 8	30	≤200
		40	≤300
synthetic attested (A,B,C)	Tested according to EN 1177		83



HIC 85

45,9 m<sup>2</sup>

Data is subject to change without prior notice.