

NORDIC PLAY

Tåg Rollspel 2279114



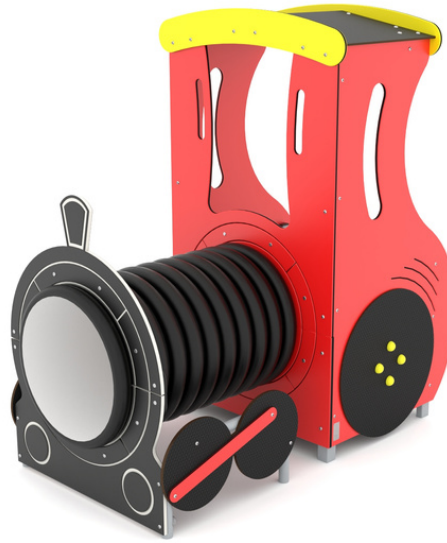
3-12



5 kids

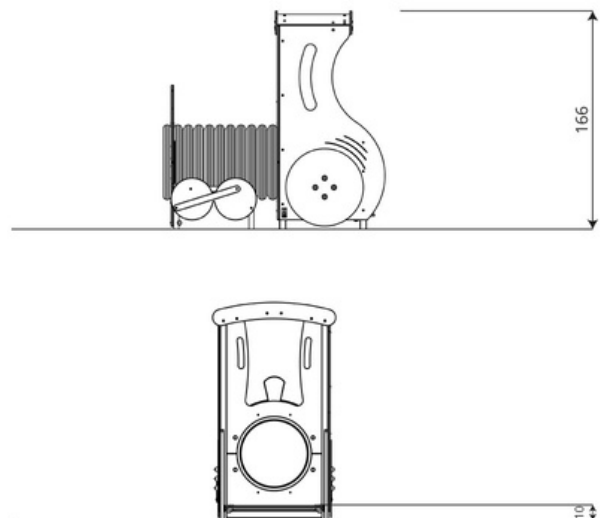
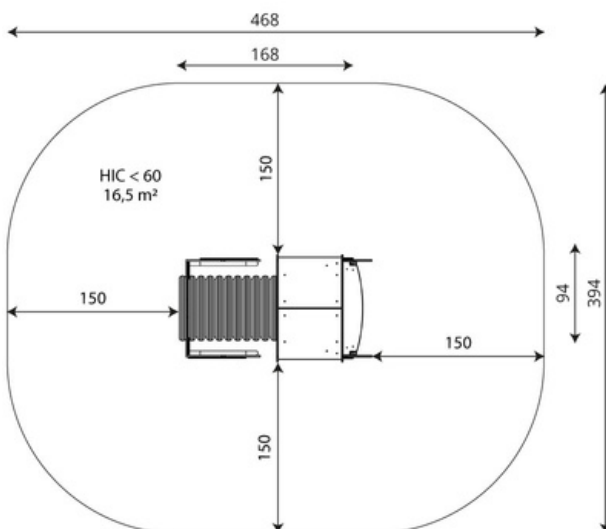


16,5 m²




Material specification

- Hot-dip galvanized and powder coated or powder galvanized and powder coated steel construction,
- Platforms made of durable anti-slip and waterproof plywood or HPL plate,
- Roofs, side panels made of durable HDPE or HPL plate, resistant to weather conditions,
- Colorful elements made of durable HDPE or HPL plate, resistant to weather conditions,
- Double wall tube passage made of polypropylene,
- Screws covered with plastic caps and/or stainless steel screws,



Tåg Rollspel 2279114

Length	168 cm
Width	94 cm
Total height	166 cm
Age group	3 - 12 years
Number of users	5 kids
Safety zone	16,5 m ²
Free fall height	<60 cm
The height of the platforms	10 cm
In accordance with norm EN	1176-1:2017
Weight of the heaviest part	36 kg
Dimensions of the largest part	215x82x78 cm
Availability of spare parts	YES
Installation time	4 h
Color options	



30 year guarantee

Structural strength of steel and stainless steel components



15 year guarantee

Structural failure of steel and stainless steel, for dynamic equipment



10 year guarantee

Structural failure of high density polyethylene and high pressure laminates components



5 year guarantee

Corrosion of stainless steel and hot dip galvanized and powder coated components; against bark beetles and rot in case of wooden structural elements

Data is subject to change without prior notice.

- equipment adapted for the disabled; intended for public playgrounds;
- equipment has a certificate issued by an accredited entity or a declaration of conformity;
- no sharp edges or chinks that would pose a danger of jimming the head, fingers or any other body parts;
- anchoring on flat surface, 80/70/60 cm deep;
- slide should not be installed southwards;
- render is for reference only, the actual appearance of the equipment and its color may vary;

Tåg Rollspel 2279114

Surfaces according to EN 1176-1:2017

	Description (mm)	Layer thickness (cm)	Maximum fall heights (cm)
Turf/ top layer of soil (A,B,C)	-	-	≤100
bark (A,C)	Particle size from 20 to 80	30	≤200
		40	≤300
woodchips (A,C)	Particle size from 5 to 30	30	≤200
		40	≤300
sand or gravel (A,C)	Particle size from 0,25 to 8	30	≤200
		40	≤300
synthetic attested (A,B,C)	Tested according to EN 1177		60

HIC <60

16,5 m²

Data is subject to change without prior notice.

