

## RT249914



3-12



3 kids

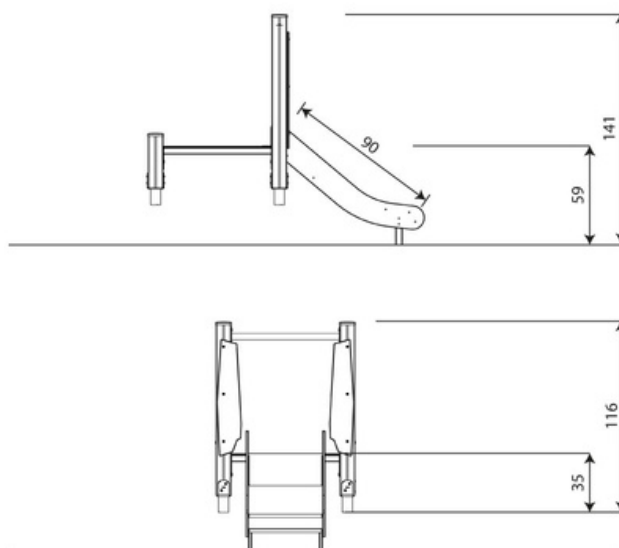
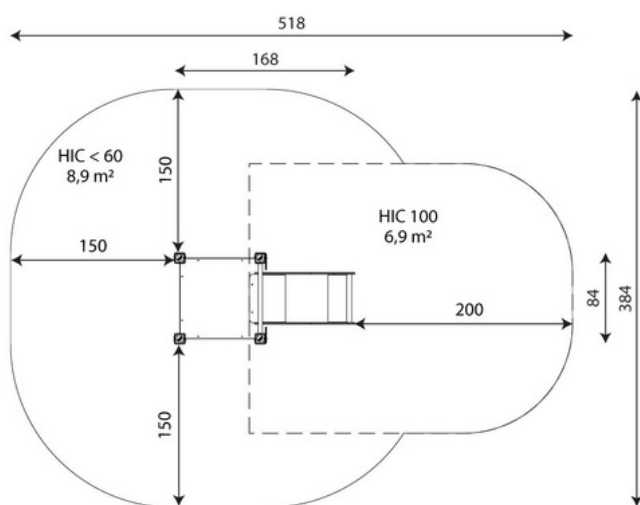


15,2 m<sup>2</sup>




### Material specification

- Powder galvanized and powder coated steel construction,
- Platforms made of durable anti-slip and waterproof HPL plate,
- Side panels made of durable HDPE plate, resistant to weather conditions
- Slides made of stainless steel with durable HDPE side panels,
- Stainless steel bars, ladders and handrails,
- Screws covered with plastic caps and/or stainless steel screws,
- Safe end caps on top of the structure made of rubber or polypropylene,



# RT249914



Length	168 cm
Width	84 cm
Total height	141 cm
Age group	1 - 8 years
Number of users	3 kids
Safety zone	15,8 m <sup>2</sup>
Free fall height	<60 cm
The height of the platforms	35 cm
In accordance with norm EN	1176-1:2017
Weight of the heaviest part	20 kg
Dimensions of the largest part	120x52x15 cm
Availability of spare parts	YES
Installation time	3,0 h
Color options	

Data is subject to change without prior notice.



### 30 year guarantee

Structural strength of steel and stainless steel components



### 15 year guarantee

Structural failure of steel and stainless steel, for dynamic equipment



### 10 year guarantee

Structural failure of high density polyethylene and high pressure laminates components



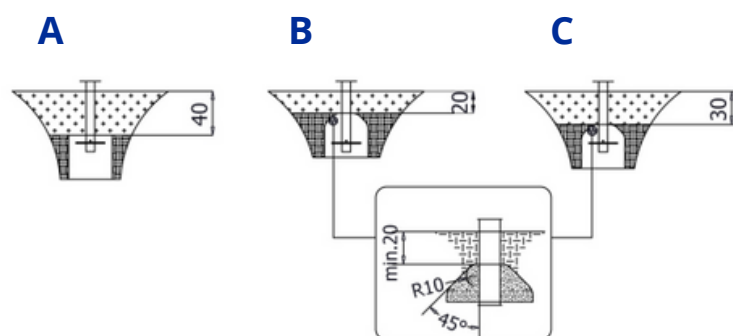
### 5 year guarantee

Corrosion of stainless steel and hot dip galvanized and powder coated components; against bark beetles and rot in case of wooden structural elements

- equipment intended for public playgrounds;
- equipment has a certificate issued by an accredited entity or a declaration of conformity;
- no sharp edges or chinks that would pose a danger of jimming the head, fingers or any other body parts;
- anchoring on flat surface, 80/70/60 cm deep;
- slide should not be installed southwards;
- render is for reference only, the actual appearance of the equipment and its color may vary;

Surfaces according to EN 1176-1:2017

	Description (mm)	Layer thickness (cm)	Maximum fall heights (cm)
Turf/ top layer of soil (A,B,C)	-	-	≤100
bark (A,C)	Particle size from 20 to 80	30	≤200
		40	≤300
woodchips (A,C)	Particle size from 5 to 30	30	≤200
		40	≤300
sand or gravel (A,C)	Particle size from 0,25 to 8	30	≤200
		40	≤300
synthetic attested (A,B,C)	Tested according to EN 1177		100



HIC <60 8,9 m<sup>2</sup>

HIC 100 6,9 m<sup>2</sup>

Data is subject to change without prior notice.