

RT2499110



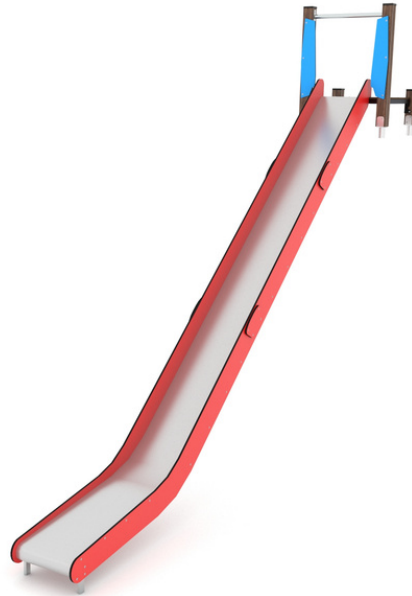
3-14



3 kids

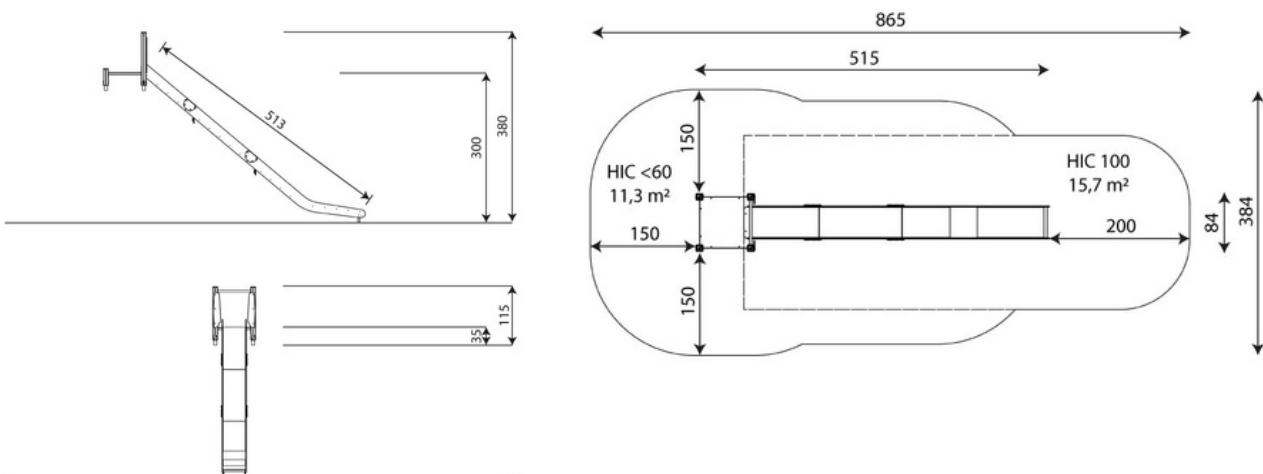


27 m²



Material specification

- Construction made of the highest quality laminated, impregnated and double coated pine wood 90 x 90 mm without knots, secured from the top with polypropylene plugs,
- Metal anchors made of hot dip galvanized steel, protecting the wood from direct contact with the ground to prevent rot and to extend the product's life,
- Platforms made of durable anti-slip and waterproof plywood or HPL plate,
- Side panels made of durable HDPE or HPL plate, resistant to weather conditions,
- Slides made of stainless steel with durable HDPE or HPL side panels,
- Stainless steel bars,
- Stainless steel screws and/or screws covered with plastic caps,



27 m²

RT2499110



Length	515 cm
Width	84 cm
Total height	380 cm
Age group	3 - 14 years
Number of users	3 kids
Safety zone	27 m ²
Free fall height	<60 cm
The height of the platforms	35 cm
In accordance with norm EN	1176-1:2017
Weight of the heaviest part	32 kg
Dimensions of the largest part	247x121x52 cm
Availability of spare parts	YES
Installation time	3,0 h
Color options	

Data is subject to change without prior notice.



30 year guarantee

Structural strength of steel and stainless steel components



15 year guarantee

Structural failure of steel and stainless steel, for dynamic equipment



10 year guarantee

Structural failure of high density polyethylene and high pressure laminates components



5 year guarantee

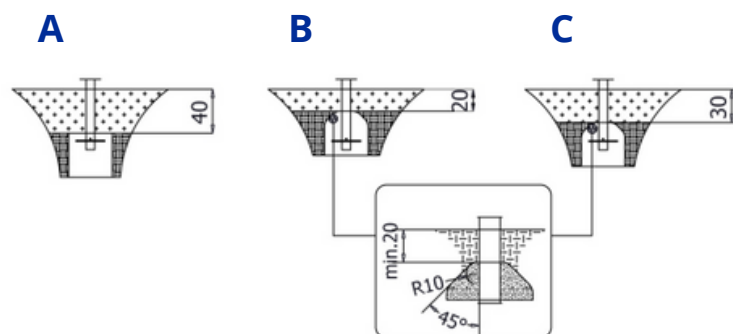
Corrosion of stainless steel and hot dip galvanized and powder coated components; against bark beetles and rot in case of wooden structural elements

- equipment intended for public playgrounds;
- equipment has a certificate issued by an accredited entity or a declaration of conformity;
- no sharp edges or chinks that would pose a danger of jimming the head, fingers or any other body parts;
- anchoring on flat surface, 80/70/60 cm deep;
- slide should not be installed southwards;
- render is for reference only, the actual appearance of the equipment and its color may vary;

RT2499110

Surfaces according to EN 1176-1:2017

	Description (mm)	Layer thickness (cm)	Maximum fall heights (cm)
Turf/ top layer of soil (A,B,C)	-	-	≤100
bark (A,C)	Particle size from 20 to 80	30	≤200
		40	≤300
woodchips (A,C)	Particle size from 5 to 30	30	≤200
		40	≤300
sand or gravel (A,C)	Particle size from 0,25 to 8	30	≤200
		40	≤300
synthetic attested (A,B,C)	Tested according to EN 1177		100



HIC <60

11,3 m²

HIC 100

15,7 m²

Data is subject to change without prior notice.