

KR138018



3-12



1 kids

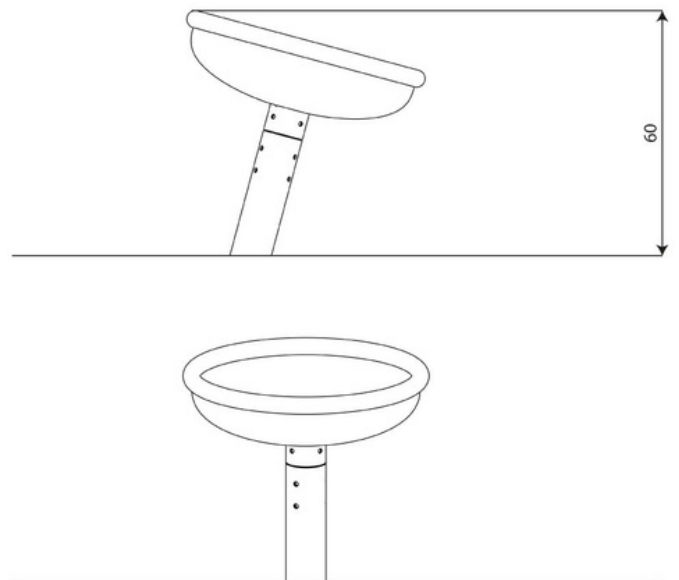
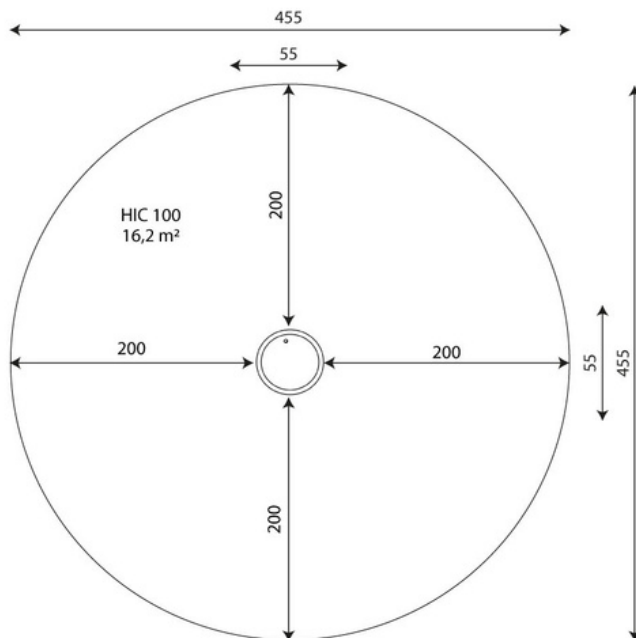


16,2 m²



Material specification

- Stainless steel construction,



KR138018



| | |
|--------------------------------|--------------|
| Length | 55 cm |
| Width | 55 cm |
| Total height | 60 cm |
| Age group | 3 - 12 years |
| Number of users | 1 kids |
| Safety zone | 16,2 m2 |
| Free fall height | <60 cm |
| In accordance with norm EN | 1176-1:2017 |
| Weight of the heaviest part | 11 kg |
| Dimensions of the largest part | 100x9x9 cm |
| Availability of spare parts | YES |
| Installation time | 1 h |

Data is subject to change without prior notice.



30 year guarantee

Structural strength of steel and stainless steel components



15 year guarantee

Structural failure of steel and stainless steel, for dynamic equipment



10 year guarantee

Structural failure of high density polyethylene and high pressure laminates components



5 year guarantee

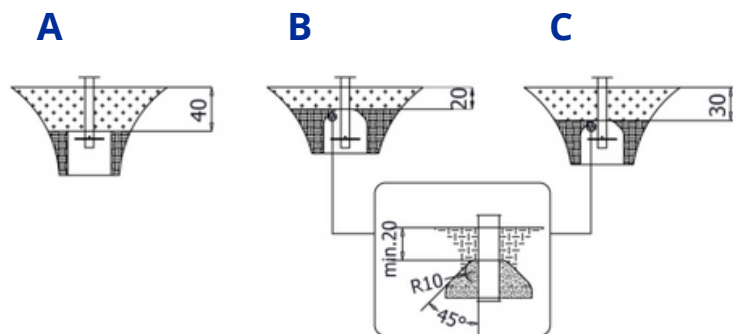
Corrosion of stainless steel and hot dip galvanized and powder coated components; against bark beetles and rot in case of wooden structural elements

- equipment intended for public playgrounds;
- equipment has a certificate issued by an accredited entity or a declaration of conformity;
- no sharp edges or chinks that would pose a danger of jimmieing the head, fingers or any other body parts;
- anchoring on flat surface, 90/80/70 cm deep;
- render is for reference only, the actual appearance of the equipment and its color may vary;

KR138018

Surfaces according to EN 1176-1:2017

| | Description (mm) | Layer thickness (cm) | Maximum fall heights (cm) |
|---------------------------------|------------------------------|----------------------|---------------------------|
| Turf/ top layer of soil (A,B,C) | - | - | ≤100 |
| bark (A,C) | Particle size from 20 to 80 | 30 | ≤200 |
| | | 40 | ≤300 |
| woodchips (A,C) | Particle size from 5 to 30 | 30 | ≤200 |
| | | 40 | ≤300 |
| sand or gravel (A,C) | Particle size from 0,25 to 8 | 30 | ≤200 |
| | | 40 | ≤300 |
| synthetic attested (A,B,C) | Tested according to EN 1177 | | 100 |



HIC 100

16,2 m²

Data is subject to change without prior notice.