

Party Krusell

KR138017



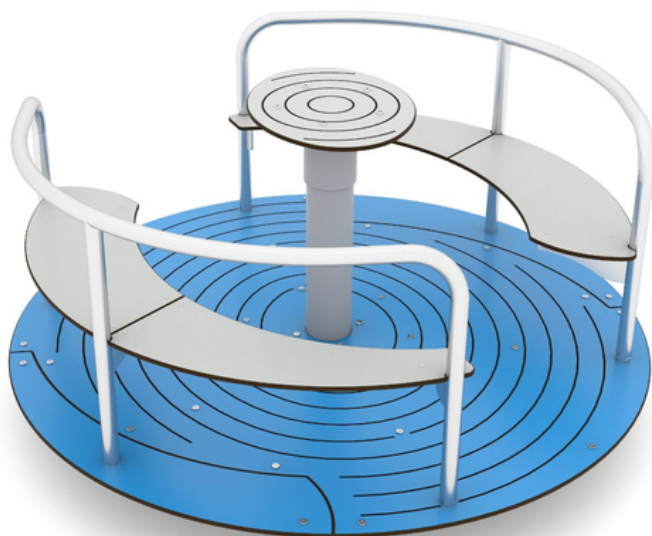
3-12



5 kids

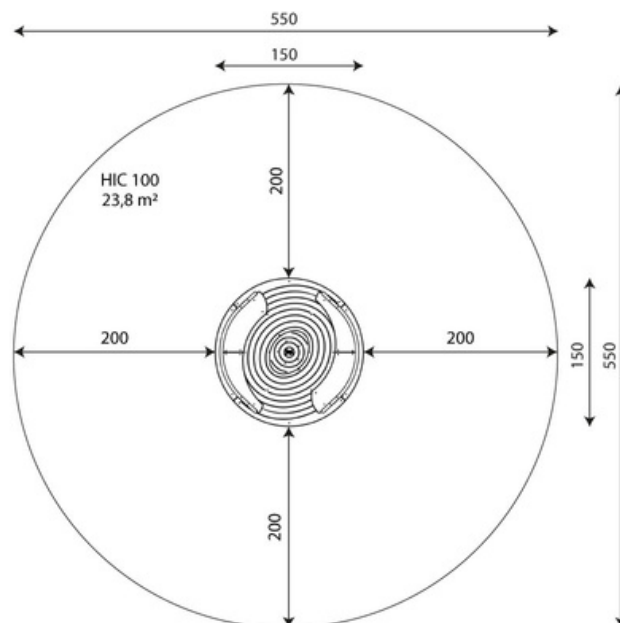
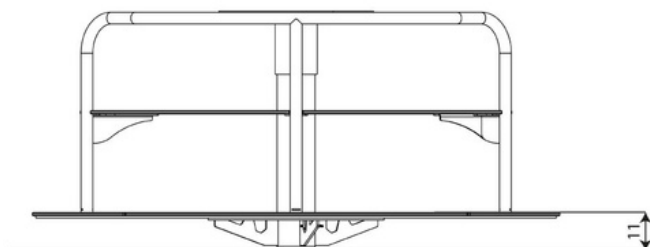
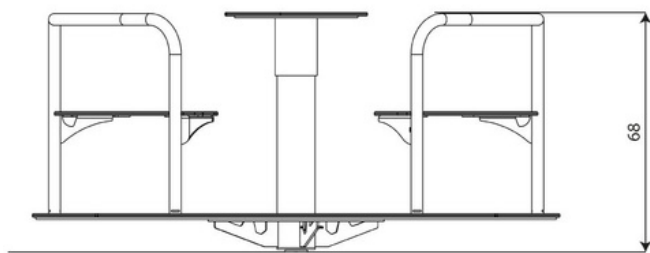


23,8 m²




Material specification

- Powder galvanized and powder coated steel construction,
- Platforms made of durable anti-slip and waterproof HPL plate,
- Stainless steel handrails,
- Screws covered with plastic caps and/or stainless steel screws,



Party Krusell
KR138017



Length	150 cm
Width	150 cm
Total height	68 cm
Age group	3 - 12 years
Number of users	8 kids
Safety zone	23,8 m ²
Free fall height	68 cm
The height of the platforms	11 cm
In accordance with norm EN	1176-1:2017
Weight of the heaviest part	80 kg
Dimensions of the largest part	148x148x1 cm
Availability of spare parts	YES
Installation time	1,5 h
Color options	

Data is subject to change without prior notice.

- equipment adapted for the disabled; intended for public playgrounds;
- equipment has a certificate issued by an accredited entity or a declaration of conformity;
- no sharp edges or chinks that would pose a danger of jimming the head, fingers or any other body parts;
- anchoring on flat surface, 80/70/60 cm deep;
- render is for reference only, the actual appearance of the equipment and its color may vary;



30 year guarantee

Structural strength of steel and stainless steel components



15 year guarantee

Structural failure of steel and stainless steel, for dynamic equipment



10 year guarantee

Structural failure of high density polyethylene and high pressure laminates components

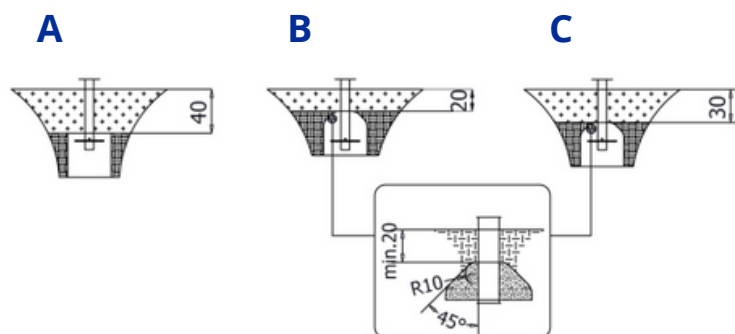


5 year guarantee

Corrosion of stainless steel and hot dip galvanized and powder coated components; against bark beetles and rot in case of wooden structural elements

Surfaces according to EN 1176-1:2017

	Description (mm)	Layer thickness (cm)	Maximum fall heights (cm)
Turf/ top layer of soil (A,B,C)	-	-	≤100
bark (A,C)	Particle size from 20 to 80	30	≤200
		40	≤300
woodchips (A,C)	Particle size from 5 to 30	30	≤200
		40	≤300
sand or gravel (A,C)	Particle size from 0,25 to 8	30	≤200
		40	≤300
synthetic attested (A,B,C)	Tested according to EN 1177		100



HIC 100

23,8 m²

Data is subject to change without prior notice.