

KR1380111



3-12



2 kids

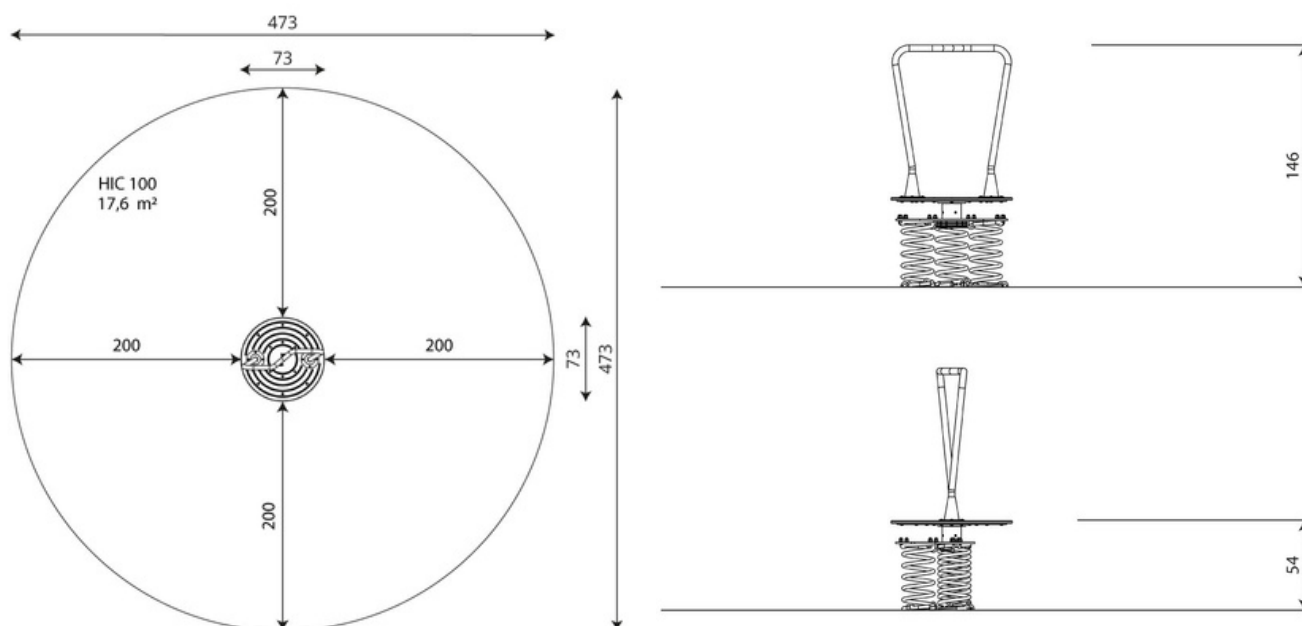


17,6 m²




Material specification

- Powder galvanized and powder coated steel construction,
- Platform made of durable HDPE plate, resistant to weather conditions,
- Steel springs 20 mm, iron phosphorated and powder coated,
- Stainless steel handrails,
- Screws covered with plastic caps and/or stainless steel screws,



KR1380111



Length	73 cm
Width	73 cm
Total height	146 cm
Age group	3 - 12 years
Number of users	2 kids
Safety zone	17,6 m ²
Free fall height	<60 cm
The height of the platforms	54 cm
In accordance with norm EN	1176-1:2017
Weight of the heaviest part	10 kg
Dimensions of the largest part	92x72x19 cm
Availability of spare parts	YES
Installation time	1,5 h
Color options	

Data is subject to change without prior notice.

- Powder galvanized and powder coated steel construction,
- Platform made of durable HDPE plate, resistant to weather conditions,
- Steel springs 20 mm, iron phosphorated and powder coated,
- Stainless steel handrails,
- Screws covered with plastic caps and/or stainless steel screws,



30 year guarantee

Structural strength of steel and stainless steel components



15 year guarantee

Structural failure of steel and stainless steel, for dynamic equipment



10 year guarantee

Structural failure of high density polyethylene and high pressure laminates components



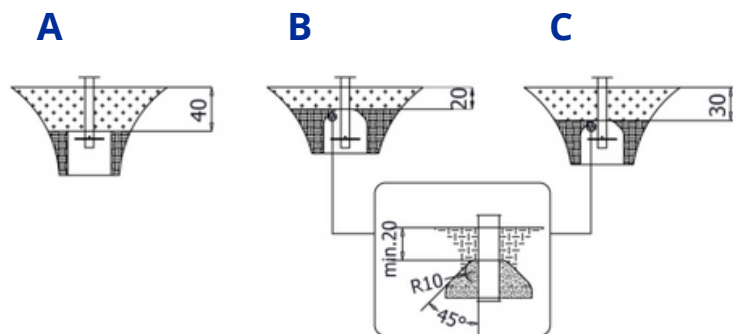
5 year guarantee

Corrosion of stainless steel and hot dip galvanized and powder coated components; against bark beetles and rot in case of wooden structural elements

KR1380111

Surfaces according to EN 1176-1:2017

	Description (mm)	Layer thickness (cm)	Maximum fall heights (cm)
Turf/ top layer of soil (A,B,C)	-	-	≤100
bark (A,C)	Particle size from 20 to 80	30	≤200
		40	≤300
woodchips (A,C)	Particle size from 5 to 30	30	≤200
		40	≤300
sand or gravel (A,C)	Particle size from 0,25 to 8	30	≤200
		40	≤300
synthetic attested (A,B,C)	Tested according to EN 1177		100



HIC 100

17,6 m²

Data is subject to change without prior notice.