

## Balanslabyrint

### FG1160136



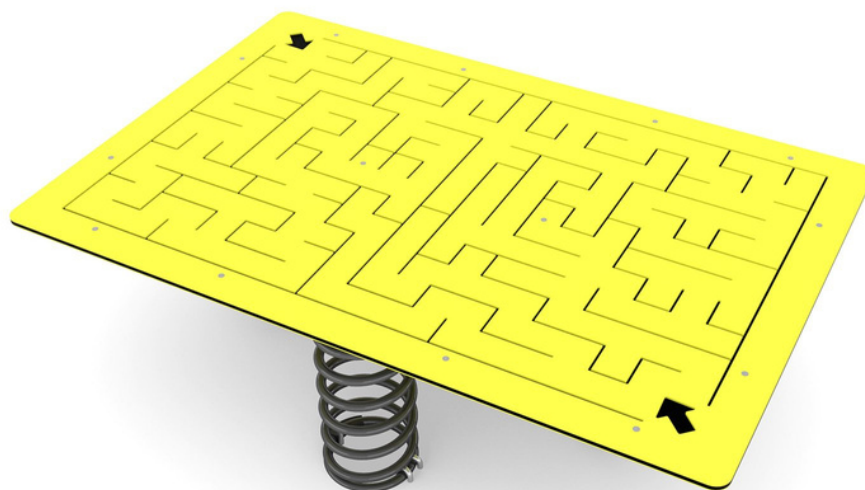
3-14



5 kids

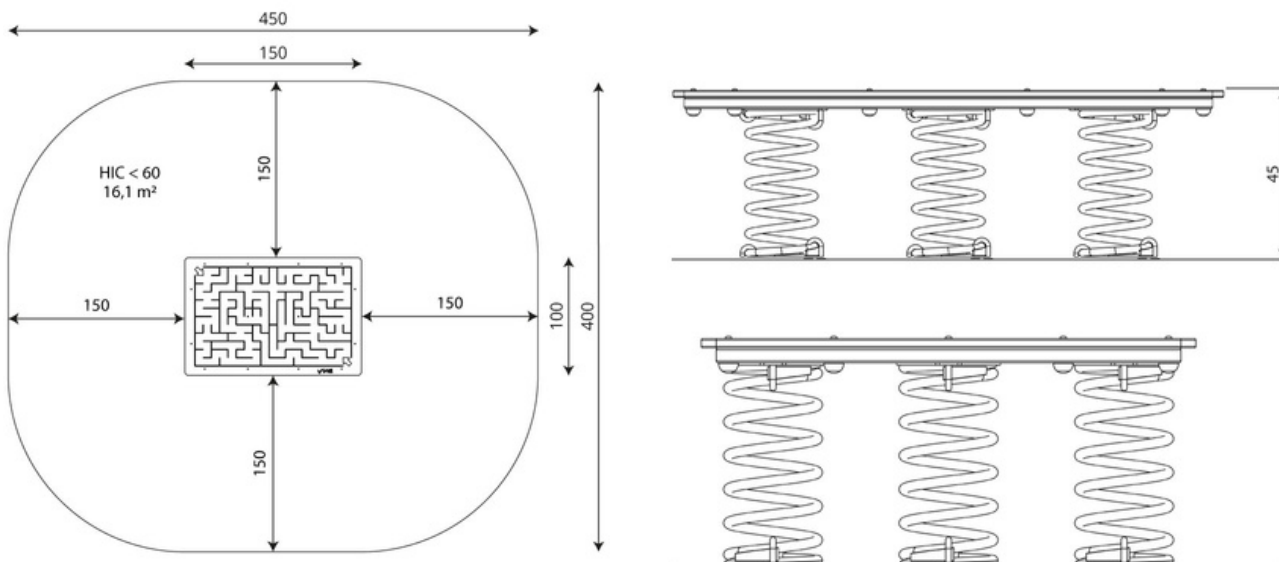


16,1 m<sup>2</sup>



### Material specification

- Powder galvanized and powder coated steel construction,
- Platform made of durable HDPE plate, resistant to weather conditions,
- Steel springs 20 mm, iron phosphorated and powder coated,
- Screws covered with plastic caps and/or stainless steel screws,



# Balanslabyrint

## FG1160136



Length	150 cm
Width	100 cm
Total height	45 cm
Age group	3 - 14 years
Number of users	5 kids
Safety zone	16,1 m <sup>2</sup>
Free fall height	<60 cm
In accordance with norm EN	1176-1:2017
Weight of the heaviest part	108 kg
Dimensions of the largest part	83x150x100 cm
Availability of spare parts	YES
Installation time	1,0 h
Color options	

Data is subject to change without prior notice.

- equipment intended for public playgrounds;
- equipment has a certificate issued by an accredited entity or a declaration of conformity;
  - no sharp edges or chinks that would pose a danger of jimmieing the head, fingers or any other body parts;
  - anchoring on flat surface, 80/70/60 cm deep;
  - render is for reference only, the actual appearance of the equipment and its color may vary;

HIC <60

16,1 m<sup>2</sup>

Data is subject to change without prior notice.



### 30 year guarantee

Structural strength of steel and stainless steel components



### 15 year guarantee

Structural failure of steel and stainless steel, for dynamic equipment



### 10 year guarantee

Structural failure of high density polyethylene and high pressure laminates components



### 5 year guarantee

Corrosion of stainless steel and hot dip galvanized and powder coated components; against bark beetles and rot in case of wooden structural elements

Surfaces according to EN 1176-1:2017

	Description (mm)	Layer thickness (cm)	Maximum fall heights (cm)
Turf/ top layer of soil (A,B,C)	-	-	≤100
bark (A,C)	Particle size from 20 to 80	30	≤200
		40	≤300
woodchips (A,C)	Particle size from 5 to 30	30	≤200
		40	≤300
sand or gravel (A,C)	Particle size from 0,25 to 8	30	≤200
		40	≤300
synthetic attested (A,B,C)	Tested according to EN 1177		60

