



3-12



6 kids

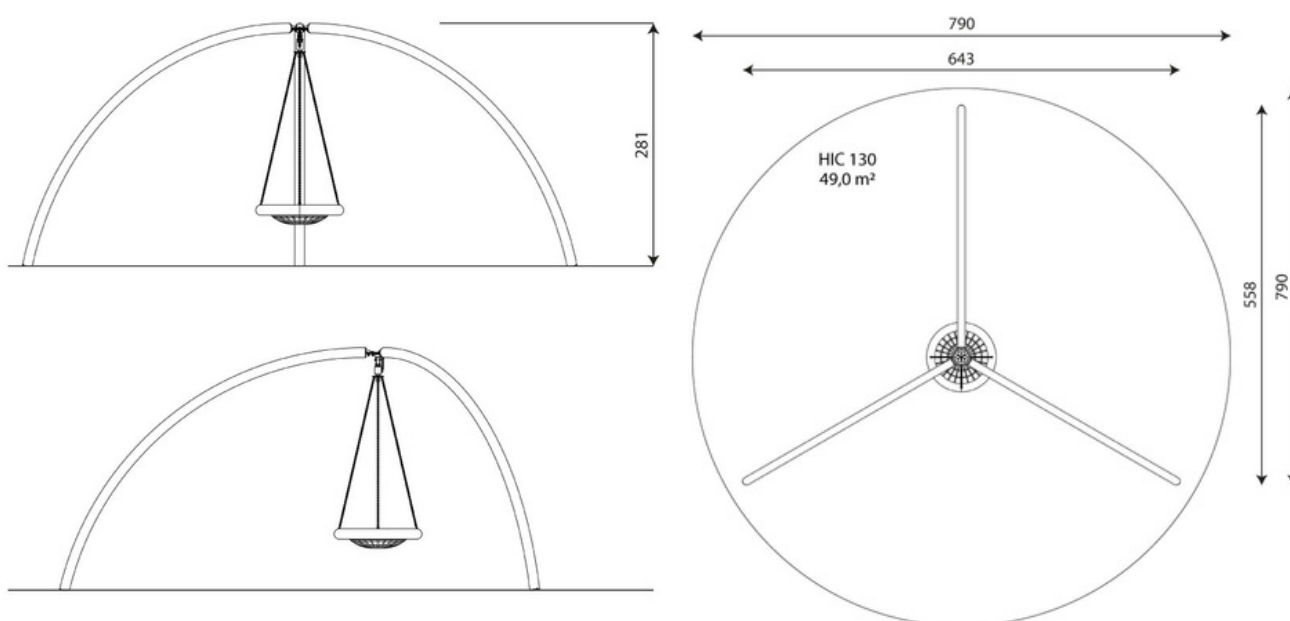


49,0 m²



Material specification

- Hot-dip galvanized and powder coated or powder galvanized and powder coated steel construction,
- Attested, safe seats,
- Calibrated stainless steel chains, preventing fingers entrapment,
- Stainless steel swing fittings,
- Stainless steel screws and/or screws covered with plastic caps,
- Safe end caps on the top of the bar, made of durable HDPE plate, resistant to weather conditions,





Length	643 cm
Width	558 cm
Total height	281 cm
Age group	3 - 12 years
Number of users	6 kids
Safety zone	49,0 m ²
Free fall height	130 cm
In accordance with norm EN	1176-1:2017
Weight of the heaviest part	77 kg
Dimensions of the largest part	516x110x11 cm
Availability of spare parts	YES
Installation time	2 h
Color options	

Data is subject to change without prior notice.



30 year guarantee

Structural strength of steel and stainless steel components



15 year guarantee

Structural failure of steel and stainless steel, for dynamic equipment



10 year guarantee

Structural failure of high density polyethylene and high pressure laminates components



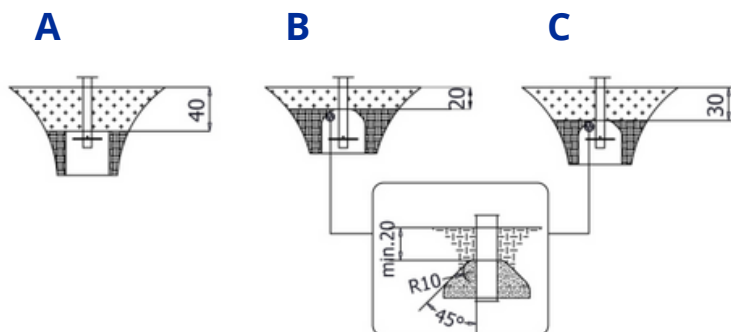
5 year guarantee

Corrosion of stainless steel and hot dip galvanized and powder coated components; against bark beetles and rot in case of wooden structural elements

- equipment intended for public playgrounds;
- equipment has a certificate issued by an accredited entity or a declaration of conformity;
- no sharp edges or chinks that would pose a danger of jimmie the head, fingers or any other body parts;
- anchoring on flat surface, 80/70/60 cm deep;
- render is for reference only, the actual appearance of the equipment and its color may vary;

Surfaces according to EN 1176-1:2017

	Description (mm)	Layer thickness (cm)	Maximum fall heights (cm)
Turf/ top layer of soil (A,B,C)	-	-	≤100
bark (A,C)	Particle size from 20 to 80	30	≤200
		40	≤300
woodchips (A,C)	Particle size from 5 to 30	30	≤200
		40	≤300
sand or gravel (A,C)	Particle size from 0,25 to 8	30	≤200
		40	≤300
synthetic attested (A,B,C)	Tested according to EN 1177		130



HIC 130

49,0 m²

Data is subject to change without prior notice.